



# Air Tools

for Trade and Service Workshops

Service Air Tools  
Full-range catalogue  
[www.boschproductiontools.com](http://www.boschproductiontools.com)



**BOSCH**  
Invented for life

# Bosch Pneumatic Technology

## – The Right Tool For Any Job.



Bosch Pneumatic Tools are suitable for all different fields of application – in motor vehicle repair, the furniture industry, carpentry or in fabrication. For craft and maintenance companies, as well as for industry. A long service life and consistently high quality of all tools are guaranteed by the intensive quality monitoring in our factory in Murrhardt.

### Technology that sets standards

The versatility and reliability of Bosch Pneumatic Technology ensures ideal work conditions.

- ▶ High operational safety, as the operational medium of air is safe to use
- ▶ Sparks in compressed air motors are impossible
- ▶ Effortless use in wet and damp areas
- ▶ Simple maintenance and repair
- ▶ The expanding compressed air permanently cools the tool and thus eliminates the risk of overheating and motor burnout
- ▶ Robust design for long life

### Information from the Internet

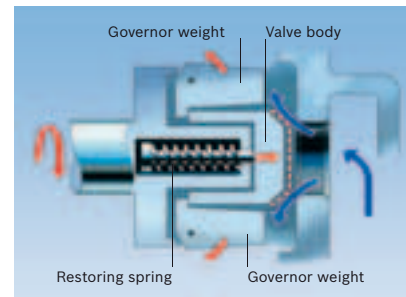
Bosch now offers users and others interested in industrial tools all current product information on the Internet. Here you will find a free online catalogue illustrating in text and pictures all the common

cordless, air and high-frequency tools for industrial use. The desired products can be chosen on the basis of the order number or product designation; a product list helps in your search.

[www.boschproductiontools.com](http://www.boschproductiontools.com)

### Ergonomic design for easier work

Small dimensions, low weight and quiet, low-vibration means fatigue free use. A fibre-reinforced plastic housing insulates against the cold and offers optimum grip comfort.



### Air technology with speed control

Bosch offers the Air Grinder with speed control. The sensitive speed control enables virtual constant speed in any speed range and projects against overspeeding of the abrasive.



### Conformity

All of the air tools listed in this catalogue meet the following standards or norm documents EN 792, EN 50144, in accordance with the regulations of Directives 89/392/EEC.



Certified in accordance with ISO 9001  
Certificate no. FM 30078



## Contents

### **5 Drills, Rotary Hammers**

- 6 Electronic Converter, Grinders
- 8 Dimensional Drawings

### **9 Grinders**

- 10 Straight-, Vertical- and Angle Grinders
- 12 Random Orbit Sander
- 14 Dimensional Drawings

### **15 Screwdrivers**

- 16 Screwdrivers
- 18 Impact Wrenches
- 20 Ratchet, Impact Wrenches
- 22 Dimensional Drawings

### **25 Chisel Hammers and Needle Descaler**

- 26 Chisel Hammers, Needle Descaler
- 28 Accessories
- 28 Dimensional Drawings

### **29 Jigsaws, Nibblers and Shears**

- 30 Jigsaws, Nibblers, Shears,  
Scissor shears, Foam Rubber Cutter
- 32 Accessories
- 32 Dimensional Drawings

### **33 Air Technology**

- 34 A guide for the user

# Overview at one click: **all industrial tools online.**

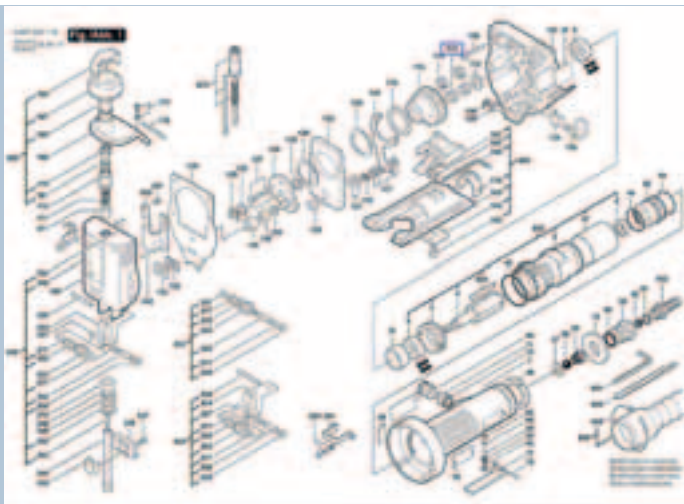
Operating instructions, pictures and exploded drawings can be downloaded directly from the Internet.



Everything that users need to know can now be found on the Net: at [www.boschproductiontools.com](http://www.boschproductiontools.com), a comprehensive online catalogue provides information on products and how they can be used. The selection of tools is made easier by the possibilities to run comparisons between tools.

For example, users can obtain a display of all air screwdrivers / wrenches and compare the accompanying data such as power output or rpm. Furthermore, they find out the latest news about measurement data, innovations and new developments from the area of Bosch Industrial Tools.

Within a short time, this provides users with all the relevant information they need to select the correct production tools.



A spare parts service informs users about which spare parts they need – and where they can order them.





## **Drills**



Rotary Hammers




# Drills and Rotary Hammers



- ▶ Cold insulating, ergonomic grip housing
- ▶ High grip comfort thanks to pistol handle
- ▶ Switch with soft start up
- ▶ High quality planetary gearbox
- ▶ Powerful motor
- ▶ Waste air expelled via handle

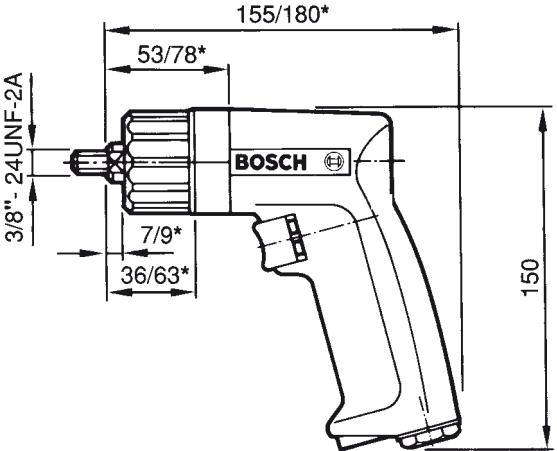
	Part Number	Chuck	max. drilling-Ø steel (mm)
<b>Drill</b> 	0 607 160 501	Key-type chuck	6
	0 607 160 502	Keyless chuck	6
	0 607 160 511	Key-type chuck	6
<b>Drill</b> 	0 607 160 504	Key-type chuck	10
	0 607 160 505	Keyless chuck	10
	0 607 160 509	Key-type chuck	10

	Part Number	Drilling performance	Full load speed (rpm)
<b>Rotary Hammer</b> 	0 607 557 501	Concrete 20 mm Steel 13 mm Wood 30 mm	850

No load speed (rpm)	Output (W)	Air consumption under load (l/s)	(cfm)	Weight (kg)	Drill spindle thread	Connecting thread	Internal hose width (mm)	Rotation R = right L = left	Comes complete with
2800	320	8.5	18	0.6	3/8" 24 UNF 2A	1/4"-NPT	10	R	Key-type chuck or Keyless chuck Hose nipple
2800	320	8.5	18	0.7	3/8" 24 UNF 2A	1/4"-NPT	10	R	
2200	320	8.5	18	0.7	3/8" 24 UNF 2A	1/4"-NPT	10	R/L	
850	320	8.5	18	0.7	3/8" 24 UNF 2A	1/4"-NPT	10	R	Key-type chuck or Keyless chuck Hose nipple
850	320	8.5	18	0.8	3/8" 24 UNF 2A	1/4"-NPT	10	R	
750	320	8.5	18	0.8	3/8" 24 UNF 2A	1/4"-NPT	10	R/L	

Impact rate (rpm)	Output (W)	Air consumption under load (l/s)	(cfm)	Weight (kg)	Toolholding fixture	Connecting thread	Internal hose width (mm)	Remarks	Comes complete with
3900	740	16	33.9	2.7	SDS-Plus with automatic locking facility	G 1/4"	13	Single impact force 2 J. Ideal for drilling in wet areas and anywhere the use of electrically powered tools is not permitted	Auxiliary handle Depth stop Hose nipple Plastic carrying case

# Dimensional Drawings

Size in mm	Part Number
	0 607 160 501
	0 607 160 504*
	0 607 160 505*
	0 607 160 509*
	0 607 160 502
	0 607 160 511
	0 607 557 501

The specified dimensions are subject to change.





## Grinders



# Straight-, Vertical- and Angle Grinders



- ▶ Cold insulating, sturdy polyamide housing
- ▶ Slimline handle for great grip comfort
- ▶ Powerful sleeve valve motor
- ▶ Speed control for constant speed even under high load
- ▶ Waste air expelled via handle

	Part Number	Permissible sanding/ grinding accessory-l (mm)	No load speed (rpm)
<b>Straight Grinder</b> 	0 607 260 100	40	21 000
	0 607 260 101	40	21 000
<b>Straight Grinder Set</b> 	0 607 260 110	40	21 000
<b>Straight Grinder</b> 	0 607 252 103	40	21 000
<b>Vertical Grinder</b> 	0 607 360 100	75	19 000
<b>Angle Grinder</b> 	0 607 352 109	125	12 000
	0 607 352 113	125	12 000
	0 607 352 112	125	7 000
	0 607 352 114	125	7 000

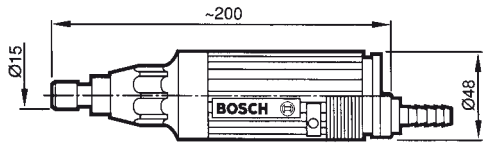
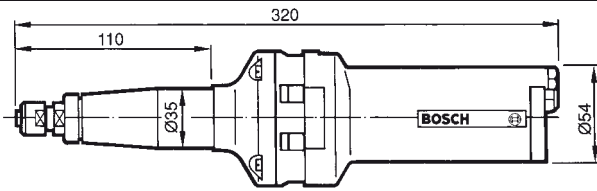
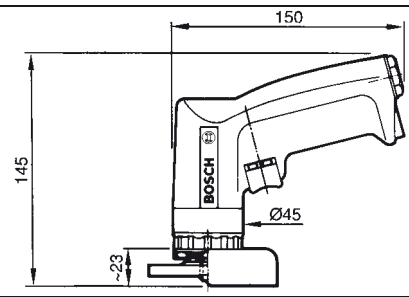
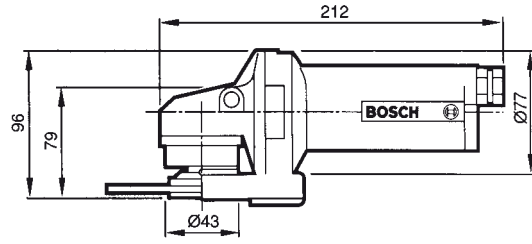
Output (W)	Air consumption under load (l/s)	(cfm)	Weight (kg)	Toolholding fixture/spindle thread	Connecting thread	Internal hose width (mm)	Remarks	Comes complete with
320	8.5	18	0.6	6 mm collet	1/4"-NPT	10		Collet ø 6 mm or Collet ø 1/4" Collet nut Fork spanner SW10 Fork spanner SW14 Hose nipple
320	8.5	18	0.6	1/4" collet	1/4"-NPT	10		
320	8.5	18	0.6		1/4"-NPT	10		Collet ø 6 mm Collet nut Fork spanner SW17 Hose nipple
550	12.5	26.5	1.1	6 mm Collet	1/4"-NPT	10	Lock switching, speed control	Collet ø 6 mm Collet nut Fork spanner SW17 Hose nipple
320	8.5	18	0.7	3/8" 24 UNF	1/4"-NPT	10		Protective guard Flange nut Open-ended spanner Pin spanner Hose nipple Disc
550	14	29.7	1.3	M 14	1/4"-NPT	10	Lock switch with speed control	Protective guard Flange
550	14	29.7	1.3	M 14	1/4"-NPT	10	Dead man switch with speed con.	Collet nut Pin spanner
550	14	29.7	1.3	M 14	1/4"-NPT	10	Locking switch	Fork spanner SW17
550	14	29.7	1.3	M 14	1/4"-NPT	10	Dead man switch	Hose nipple Silencer Auxiliary handle

Your dealer will inform you of the complete quality accessory range available.

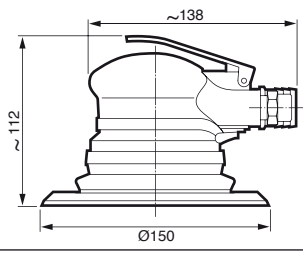
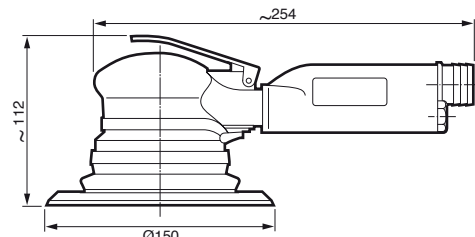




# Dimensional Drawings: Straight-, Vertical- and Angle Grinder

Size in mm	Part Number
	0 607 260 100
	0 607 260 101
	0 607 260 110
	0 607 252 103
	0 607 360 100
	0 607 352 109
	0 607 352 113
	0 607 352 112
	0 607 352 114

# Random Orbit Sander

Size in mm	Part Number
	0 607 350 196
	0 607 350 197

The specified dimensions are subject to change.





## Screwdrivers



# Screwdrivers



- ▶ Cold insulating, sturdy polyamide housing
- ▶ High-quality planetary gearbox
- ▶ High grip comfort
- ▶ Switch with soft start up
- ▶ Forward/reverse rotation
- ▶ Waste air expelled via handle

	Part Number	max. screw-Ø	Torque (Nm)
<b>Depth-sensitive Screwdriver</b> 	0 607 460 400	drilling screwdriver up to 6.3 mm	1.5–8
<b>Lock-over Screwdriver</b> 	0 607 460 401	M 6	1.5–10
<b>Lock-over Screwdriver</b> 	0 607 460 001	M 6	1.5–10

No load speed (rpm)	Rotation R = right L = left	Output (W)	Air consumption under load (l/s)	(cfm)	Weight (kg)	Toolholding fixture Hex. = Hexagon	Connecting thread	Internal hose width (mm)	Remarks	Comes complete with
750	R/L	320	8.5	18	0.8	1/4" Hex.	1/4"-NPT	10	Adjustable screwdriving depth	Hose nipple
750	R/L	320	8.5	18	0.9	1/4" Hex.	1/4"-NPT	10	External torque adjustment	Hose nipple
900	R/L	380	12	25.4	1	1/4" Hex.	1/4"-NPT	10	External torque adjustment	Hose nipple Auxiliary handle ø 46 mm

# Impact Wrenches P-Line

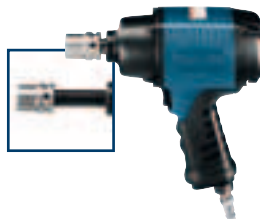
- ▶ High speed for fast, efficient working
- ▶ Outstanding power and low weight
- ▶ Robust impact wrench with long lifetime
- ▶ Simply designed, powerful dual hammer mechanism made of high-alloyed materials
- ▶ Impact force can be controlled via throttle valve

For screws from M 12 to M 30

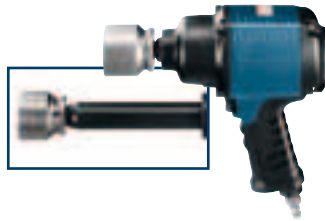
Impact wrench torque in 3 stages



Impact wrench torque in 3 stages



Impact wrench torque in 3 stages



Part Number	Screw diameter Quality category 8.8	Recommended tightening torque at 6.3 bar (Nm)
0 607 450 614	M 14	50–150
0 607 450 615	M 18	150–350
0 607 450 618	M 18	150–300
0 607 450 616	M 27	300–900
0 607 450 619	M 27	300–850

Recommended tightening torque: fatigue limit at stated screw diameter, quality category 8.8.  
 Maximum tightening torque: peak value with larger screw diameter – fatigue limit not stated.

Max. torque (Nm)	No load speed (rpm)	Rotation	Air consumption under load (l/s) (cfm)	Weight (kg)	Toolholding fixture Sq. = External square	Connecting thread	Internal hose width (mm)	Remarks	Comes complete with
200	10 000	R/L	6 12.7	1.3	3/8" Sq.	1/4"-NPT	10	Torque can be set in right-hand rotation	Hanging hook Hose nipple
550	7 000	R/L	9 19	2.3	1/2" Sq.	1/4"-NPT	10	Torque can be set in right-hand rotation	Hanging hook Hose nipple
500	7 000	R/L	9 19	2.6	1/2" Sq. + ext. spindle	1/4"-NPT	10	Torque can be set in right-hand rotation	Hanging hook Hose nipple
1200	4 500	R/L	12 25.4	5	3/4" Sq.	3/8"-NPT	13	Torque can be set in right-hand rotation	Hanging hook Hose nipple
1150	4 500	R/L	12 25.4	5.9	3/4" Sq. + ext. spindle	3/8"-NPT	13	Torque can be set in right-hand rotation	Hanging hook Hose nipple

# Ratchet and Impact Wrenches S-Line



- ▶ Single-handed forward/reverse switch over
- ▶ Infinitely variable torque adjustment
- ▶ Low weight
- ▶ Excellent price/performance ratio

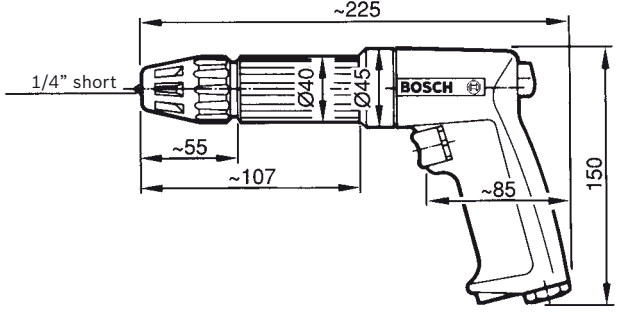
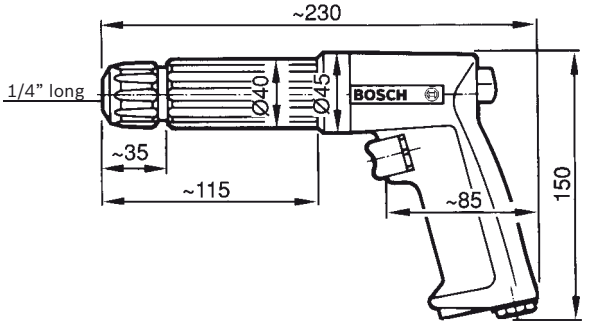
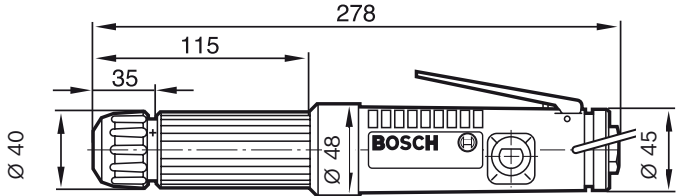
	Part Number	max. screw-Ø	Recommended torque (Nm)
Ratchet wrench 3/8"	0 607 450 794	M 10	50
			
Ratchet wrench 1/2"	0 607 450 795	M 10	50
			
3/8" Impact wrench	0 607 450 626	M 14	120
			
1/2" Impact wrench	0 607 450 627	M 14	120
			
1/2" Impact wrench	0 607 450 628	M 18	310
			
1/2" Impact wrench set	0 607 450 629	M 18	310
			
3/4" Impact wrench	0 607 450 622	M 27	900
			
1" Impact wrench	0 607 450 593	M 38	1 300
			



Max. Torque (Nm)	No load speed (rpm)	Rotation R = right L = left	Air consumption under load (l/s)	(cfm)	Weight (kg)	Toolholding fixture Sq. = Square	Connecting thread	Internal hose width (mm)	Remarks	Comes complete with
70	160	R/L	8	17	1.3	3/8" Sq.	1/4"-NPT	10		Hopse nipple
70	160	R/L	8	17	1.3	1/2" Sq.	1/4"-NPT	10		Hopse nipple
120	10000	R/L	6	12.7	1.5	3/8" Sq.	1/4"-NPT	10	Torque adjustable in 3 stages	Hopse nipple
120	10000	R/L	6	12.7	1.5	1/2" Sq.	1/4"-NPT	10	Torque adjustable in 3 stages	Hopse nipple
310	7000	R/L	8.5	18.0	2.3	1/2" Sq.	1/4"-NPT	10	Torque adjustable in 3 stages	Hopse nipple
310	7000	R/L	8.5	18.0	2.3	1/2" Sq.	1/4"-NPT	10	1/2" impact wrench set with carrying case and power socket heads (SW 14, 17, 19, 21, 22 and extension)	Hopse nipple
900	4500	R/L	12.0	25.4	5.3	3/4" Sq.	3/8"-NPT		Torque adjustable in 3 stages	Hopse nipple Hanging hook
1700	3100	R/L	13.0	17.5	9.6	1" Sq.	G-1/2"	13	Torque adjustable in 3 stages	Hopse nipple Auxiliary handle

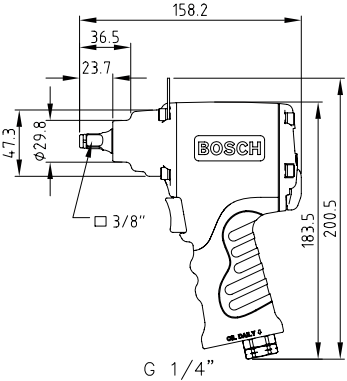
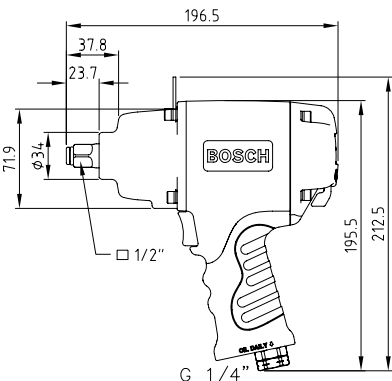
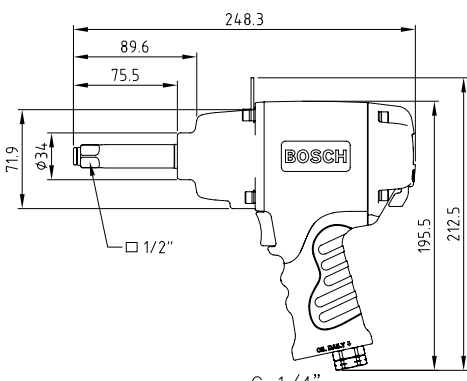
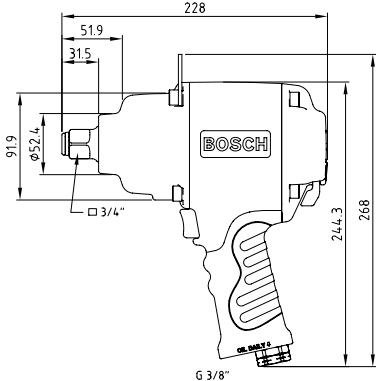
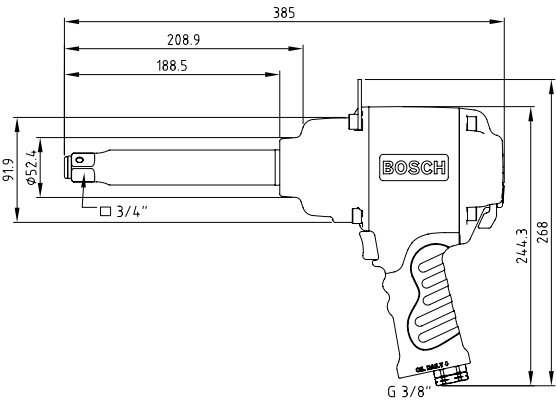
Your dealer will inform you of the complete quality accessory range available.

# Dimensional Drawings: Screwdrivers

Size in mm	Part Number
	<p>0 607 460 400</p>
	<p>0 607 460 401</p>
	<p>0 607 460 001</p>

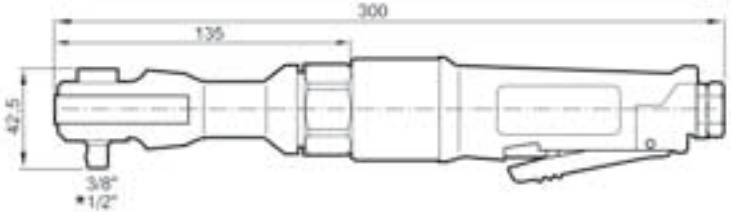
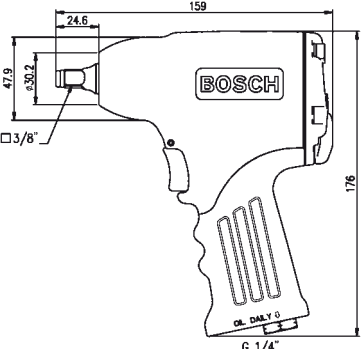
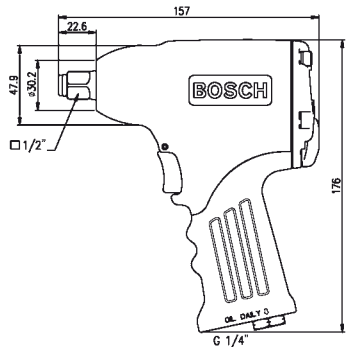
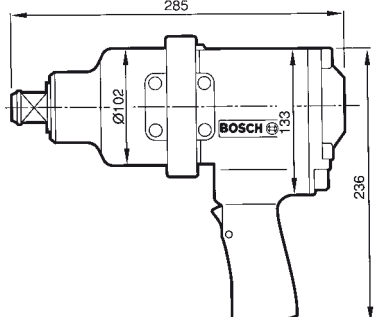
# Dimensional Drawings:

## Ratchet wrench P-Line

Size in mm	Part Number
	0 607 450 614
	0 607 450 615
	0 607 450 618
	0 607 450 616
	0 607 450 622
	0 607 450 619

The specified dimensions are subject to change.

# Dimensional Drawings: Ratchet and Impact Wrenches S-Line

Size in mm	Part Number
	<p>0 607 450 794</p> <p>0 607 450 795*</p>
	<p>0 607 450 626</p> <p>0 607 450 627</p>
	<p>0 607 450 628</p> <p>0 607 450 629</p>
	<p>0 607 450 593</p>



## **Chisel Hammers**

Needle Descaler



# Chisel Hammers, Needle Descaler



- ▶ High quality impact housing for low wear
- ▶ Cold insulating, sturdy polyamide housing
- ▶ Wide high quality range of accessories
- ▶ Greater grip comfort
- ▶ Powerful linear motor
- ▶ Waste air expelled via handle

**Chisel Hammer set**



Part Number	Impact rate (rpm)
-------------	-------------------

0 607 560 501	3600
---------------	------

**Chisel Hammer**



0 607 560 500	3600
---------------	------

**Needle Descaler**







0 607 560 502	3900
---------------	------

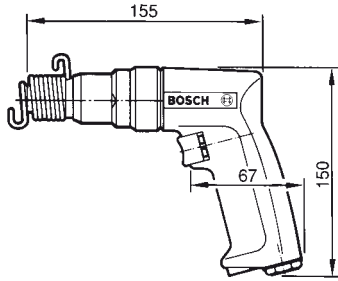
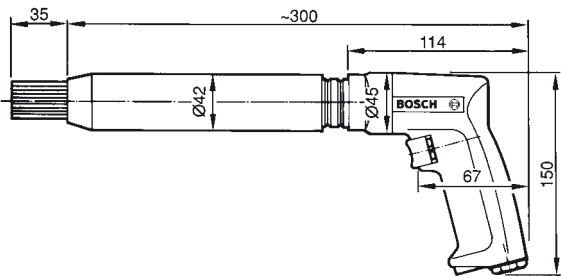


Air consumption under load (l/s)	(cfm)	Weight (kg)	Toolholding fixture	Connecting thread	Internal hose width (mm)	Remarks	Comes complete with
8.5	18	1.0 Chisel Hammer	Hexagon SW 10 and round shaft Ø 10.2 mm	1/4"-NPT	10	For smoothing and cutting work	Hose nipple Chisel retaining spring Pipe cutting chisel Sheet metal cutting chisel Flat chisel 19 mm wide Carrying case
8.5	18	1.0	Hexagon SW 10 and round shaft Ø 10.2 mm	1/4"-NPT	10	For smoothing and cutting work  Single impact force 2 J.	Chisel holding spring Hose nipple
8.5	18	1.9	—	1/4"-NPT	10	For surface cleaning  Single impact force 1.4 J.	Needle set (19 needles) Internal hexagon key Hose nipple

# Accessories for Chisel Hammer

Chisel Hammer with hexagon toolholder SW 10		Part Number
	Pipe cutting chisel with V-gouge	1 609 390 298
	Sheet metal cutting chisel	2 609 390 014
	Flat chisel 19 mm wide	2 609 390 015
	Blank	1 609 390 303

## Dimensional Drawings: Chisel Hammers and Needle Descaler

Size in mm	Part Number
	0 607 560 500 0 607 560 501
	0 607 560 502

The specified dimensions are subject to change.



## **Jigsaws**

Nibblers and Shears



# Jigsaws, Nibblers, Shears, Scissor shear and Foam Rubber Cutter



- ▶ Cold insulating, robust polyamide housing
- ▶ Slim grip for optimum grip comfort
- ▶ Powerful sleeve valve motor
- ▶ Waste air expels through handle
- ▶ High-quality cutting tools from the Bosch Accessory Programme
- ▶ Pendulum-stroke jigsaws

## Jigsaw



Part Number	Cutting thickness (mm)
0 607 561 114	Wood 85 mm
0 607 561 116	Mild steel 10 mm
0 607 561 118	Alu + non-ferrous metal 15 mm
	Plastic 30 mm

## Nibbler



0 607 561 102	St 400 N/mm <sup>2</sup> – 2.0 mm
0 607 561 106	St 600 N/mm <sup>2</sup> – 1.4 mm
0 607 561 113	St 800 N/mm <sup>2</sup> – 1.0 mm
	Al 200 N/mm <sup>2</sup> – 2.5 mm
	not for V2A

## Shear



0 607 561 101	St 400 N/mm <sup>2</sup> – 2.5 mm
0 607 561 105	St 600 N/mm <sup>2</sup> – 2.0 mm
0 607 561 112	St 800 N/mm <sup>2</sup> – 1.5 mm
	Al 200 N/mm <sup>2</sup> – 3.2 mm

## Scissor shear



0 607 560 503	St 400 N/mm <sup>2</sup> – 1.25 mm
	Al 200 N/mm <sup>2</sup> – 1.75 mm
	Plastic – 3.0 mm

## Foam Rubber Cutter



0 607 595 100	up to 300 mm
	Saw blade guide and saw blades not included

Stroke rate (rpm)	Output (W)	Air consumption under load (l/s)	(cfm)	Weight (kg)	Connecting thread	Internal hose width (mm)	Remarks	Comes complete with
2400	400	12	25.4	1.8	1/4"-NPT	10	with locking switch	Nipple Silencer G1/2" Saw blade set with anti-splinter guard Internal hexagon key SW5
2400	400	12	25.4	1.8	1/4"-NPT	10	with deadman switch	
2200	400	12	25.4	1.8	1/4"-NPT	10	with lever switch	
1900	400	12	25.4	1.5	1/4"-NPT	10	with locking switch	Nipple Silencer G1/2" Internal hexagon key SW2.5 Punch Die
1900	400	12	25.4	1.5	1/4"-NPT	10	with deadman switch	
1900	400	12	25.4	1.5	1/4"-NPT	10	with lever switch	
1900	400	12	25.4	2.2	1/4"-NPT	10	with locking switch	Nipple Silencer G1/2" Internal hexagon key SW2.5 Internal hexagon key SW5 Built-in blade set Feeler and sharpening gauge
1900	400	12	25.4	2.2	1/4"-NPT	10	with deadman switch	
1900	400	12	25.4	2.2	1/4"-NPT	10	with lever switch	
2600	320	6	12.7	1.3	1/4"-NPT	10	Cutting width 5 mm, smallest curve radius 300 mm	Nipple Internal hexagon key
3800	120	5.5	11.7	1.2	G 1/4"	10	Please order saw blades and saw blade guides separately	Sole plate fitted Scraper Hose nipple

Your dealer will inform you of the complete quality accessory range available.

# Accessories for Foam Rubber Cutter

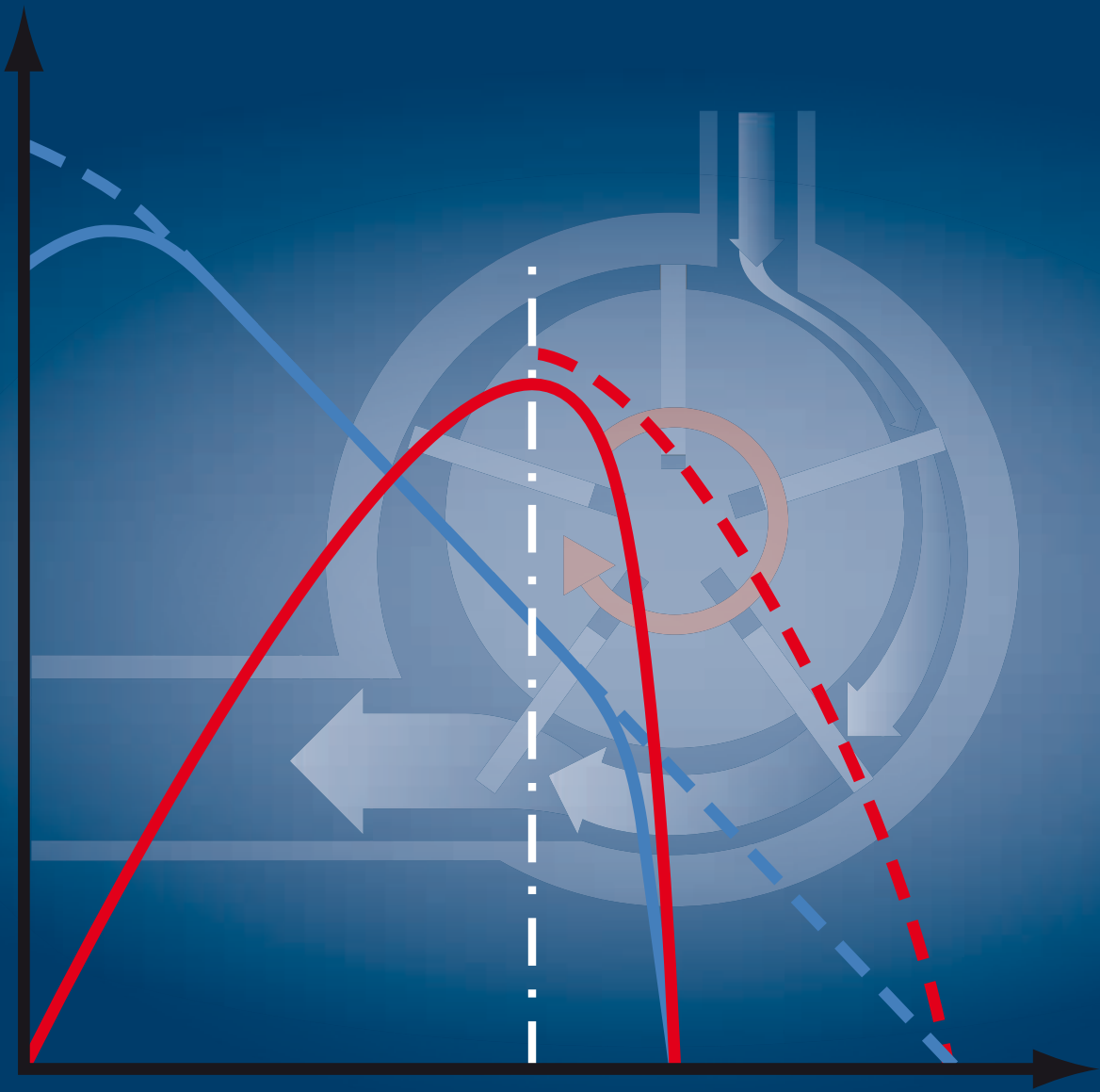
	Part Number	Working length (mm)
Saw blade pair	2 607 018 013	70
	2 607 018 010	130
	2 607 018 011	200
	2 607 018 012	300
Saw blade guide	2 608 135 023	70
	2 608 135 020	130
	2 608 135 021	200
	2 608 135 022	300

## Dimensional Drawings: Jigsaws, Nibblers and Shears

Size in mm	Part Number
	0 607 561 114
	0 607 561 116
	0 607 561 118*
	0 607 561 102
	0 607 561 106
	0 607 561 113*
	0 607 561 101
	0 607 561 105
	0 607 561 112*
	0 607 560 503

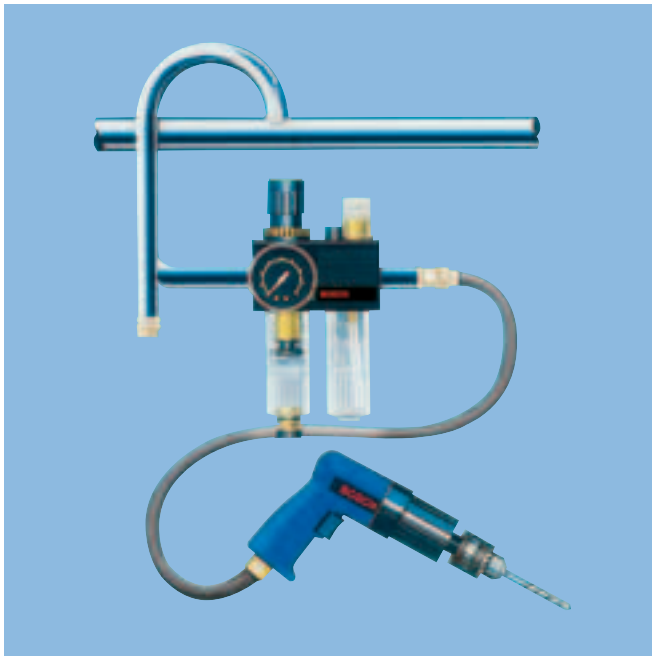
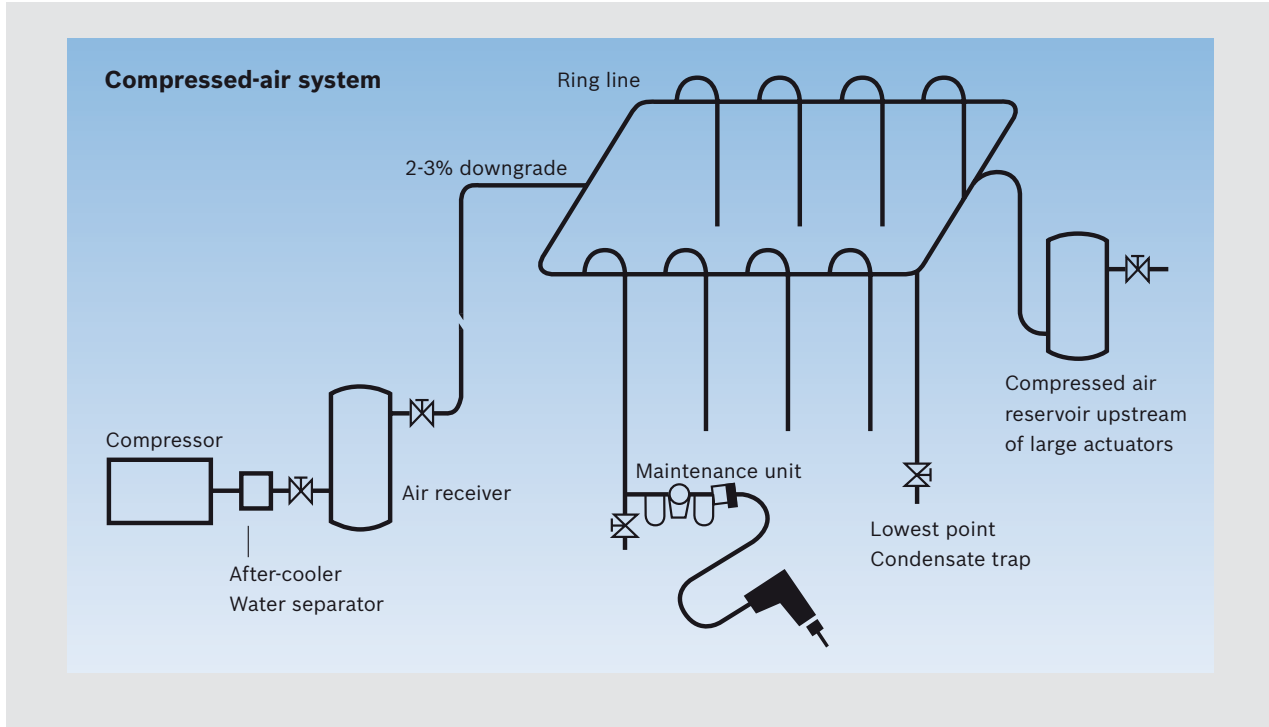
## Foam Rubber Cutter

Size in mm	Part Number
	0 607 595 100

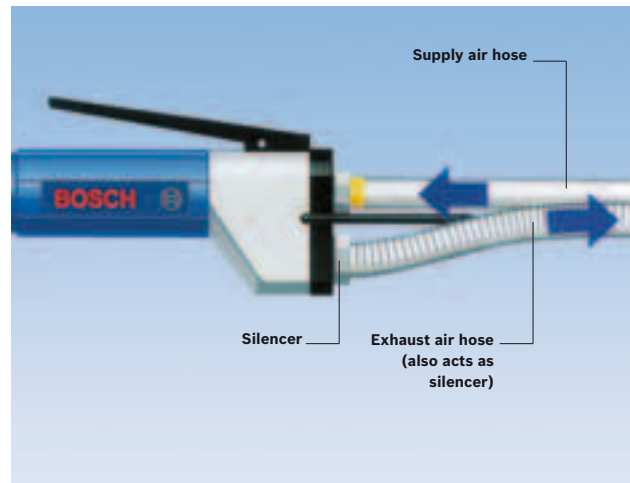


## Air Technology

# Air Technology



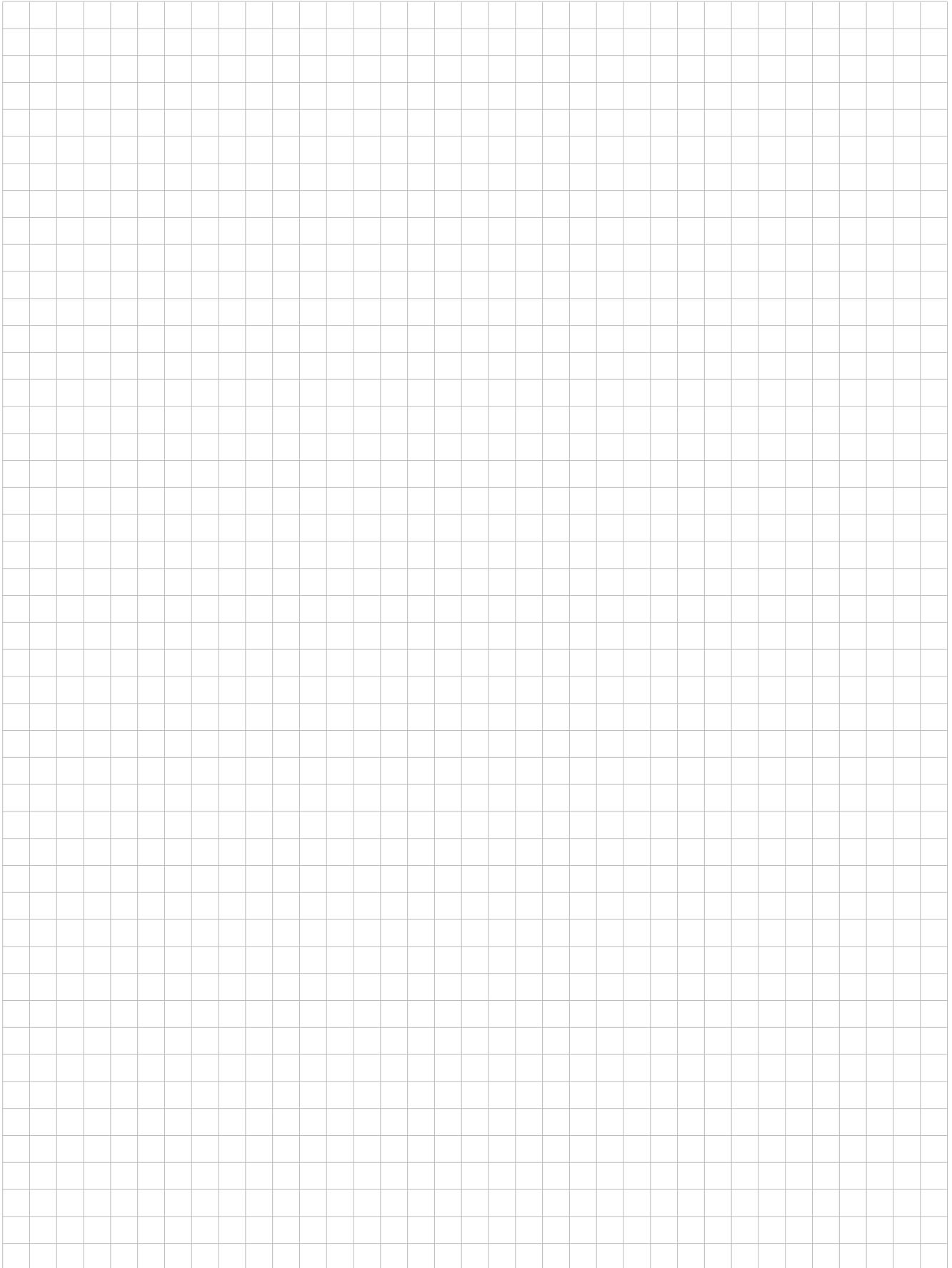
Maintenance unit: lubrication, pressure control



Silencer and exhaust air guidance



# Notes Page



# Bosch service quality



## The Bosch CD-ROM Service Information System

provides information about Bosch Power Tools over the past 25 years – including spare parts lists and exploded drawings, thus saving time and money on spare parts management.



## Bosch Fax Service

offers direct, cost-effective access to important service documents such as spare parts lists, exploded drawings and forms. Information can be accessed 24 hours a day – even on Sundays and bank holidays.



## Bosch Spare Parts Service

guarantees in 99% of all cases that the desired spare part is available ex stock, allowing work to continue quickly.



## Bosch Recycling Service

offers environmental protection that anybody can actively take part in. Bosch Industrial Tools, cordless tools and battery packs that are past their service life are taken back at no charge via specialist retailers or directly and sent for recycling.

**Robert Bosch GmbH**  
Geschäftsbereich Elektrowerkzeuge  
Marketing, Vertrieb Industrierwerkzeuge

Postfach 10 01 56  
D-70745 Leinfelden-Echterdingen  
E-Mail: [ProductionTools@de.bosch.com](mailto:ProductionTools@de.bosch.com)  
[www.boschproductiontools.com](http://www.boschproductiontools.com)

1 619 DA0 417 (04.08)  
Printed in Federal Republic of Germany.  
Imprimé en République Fédérale  
d'Allemagne. Subject to technical  
alterations. No liability can be  
accepted for printing errors.

